

# Automatic Fire Nozzle

**Model:QLD7.0/30-IV**



## Features

- 1) Automatic (constant pressure, variable flow, constant gallonage, flow does not change with pattern).
- 2) 6 detents stainless steel slide valve.
- 3) Simple to operate (1/4 turn from straight stream to fog).
- 4) Fixed molded rubber teeth.
- 5) Hard coated anodized aluminum stickers.
- 6) Inlet screen (304 stainless steel).
- 7) 360° Swivel, full time, even after tightening
- 8) Compatible with Quick Attach Foam Tube

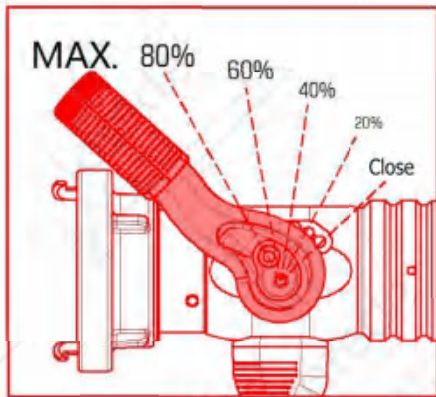
## Specification

<b>Material</b>	Body	Hard Anodized Aluminum Alloy
	Valve	Stainless steel
	Handle	ABS
	Bumper	Rubber
<b>Working pressure</b>	7 bar	
<b>Max. working pressure</b>	25 bar	
<b>Jetting Range</b>	60 meters @ 7 bar	
<b>Max. Fog angle</b>	120°	
<b>Flow Range</b>	400 - 2000 LPM (100 - 500 GPM), automatic	
<b>Inlet</b>	2.5 inch, available for STROZ, GOST, NH, INST, MACHINO, etc.	



### Dimension





6 dents slide valve



360° swivels



Pattern adjustment

